

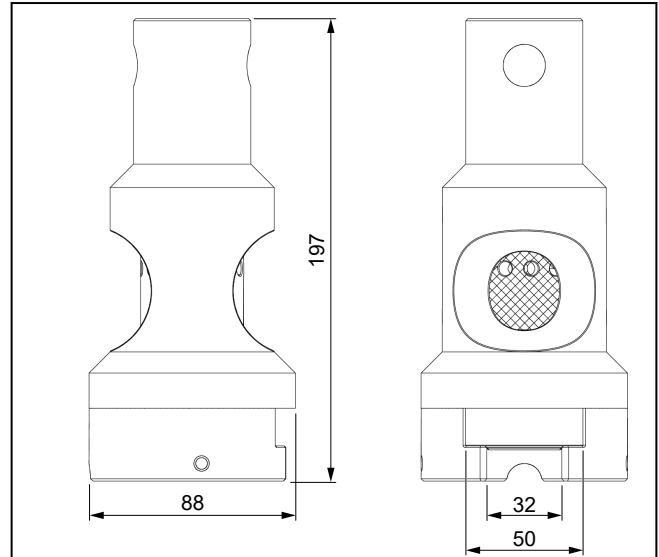
Product Information

Specimen grips for dumbbell, threaded and threaded-end specimens Type 8496, Fmax 50 kN

CTA: 98216 31248



Specimen grips for dumbbell, threaded and threaded-end specimens Type 8496, Fmax 50 kN



Specimen grips for dumbbell, threaded and threaded-end specimens type 8496, Fmax 50 kN, overview

Applications

• Specimen material:

Steel, non-ferrous metals, plastics

• Specimen shape/type of loading/standards:

Tensile tests on:

- Threaded fittings to DIN 50125 Shape B and ISO 6892
- Screws with a plane head support (e.g., to EN ISO 4762, ISO 4017, DIN 6912) and to DIN EN ISO 898-1 (straight tensile test)
- Button-head specimens to DIN 50125, Shape C
- Button-head specimens to GOST 1497

Function description

With self-aligning tension grips the force is applied to the specimen positively via the shoulder or threaded end.

The specimen is inserted with the corresponding specimen holder into the specimen grip that can be accessed from the front. It then centers itself in the tensile axis.

The specimen grip can be purchased with or without fixed tensioning.

Advantages and features

- Absolute symmetrical force distribution is ensured through various design details.
- Anti-backlash option for specimen holders: Play-free specimen location enables precise alignment in the tensile axis — essential for use with optical extension measurement systems.
- Symmetrical bearing surfaces in the specimen grips: The specimen holders bear on two symmetrical contact surfaces in the specimen grips.
- Specimen fully enclosed by all specimen holders: All specimen holders completely surround the specimen. A support sleeve is placed around the split holders for dumbbell specimens.
- This also prevents them from spreading, minimizing holder recoil at specimen break.
- Low overall height saves space in the test area.
- Pure Mechanical solution: Pneumatic control unit and hydraulic power pack are not required.

Product Information

Specimen grips for dumbbell, threaded and threaded-end specimens Type 8496, Fmax 50 kN

Technical data

Item No.	320717 ¹⁾	
Type	8496	
Operating principle/identification	Form fitting force transmission	
Locking	Yes	
Test load F _{max}	50	kN
Height without specimen holders	197	mm
Diameter, outer, max.	88	mm
Screw-in depth, min.	1.5 x nominal thread size	
Connection, stud	Ø 36	mm
Ambient temperature	-70 ... +250	°C
Scope of delivery	2	piece(s)

1) Recommended and approved for strain rate control to standards DIN EN ISO 6892-1:2009 and ASTM E8-09.

Accessories required

Specimen holders for threaded-end specimens

For testing to DIN 50125 shape B / ISO 6892: 2 specimen holders for threaded-end specimens required

For tests to DIN EN ISO 898-2/DIN EN ISO 898-1: 1 specimen holder for threaded-end specimens and 1 specimen holder for threaded head specimens required

Scope of delivery: 1 piece(s)

Description	ArticleNumber
Thread size M3, Fmax 10 kN	320725
Thread size M4, Fmax 15 kN	320727
Thread size M5, Fmax 25 kN	320729
Thread size M6, Fmax 35 kN	320731
Thread size M8, Fmax 50 kN	320733
Thread size M10, Fmax 50 kN	320735
Thread size M12, Fmax 50 kN	320865
Thread size M14, Fmax 50 kN	320867
Thread size M16, Fmax 50 kN	320869

Product Information

Specimen grips for dumbbell, threaded and threaded-end specimens Type 8496, Fmax 50 kN

Specimen holders for straight tensile tests on threaded head specimens

For tests to EN ISO 898-1 (straight tensile test): 1 specimen holder for threaded head specimens and 1 specimen holder for threaded-end specimens

Scope of delivery: 1 piece

Description	ArticleNumber
Screw size M3, Fmax 10 kN	320737
Screw size M4, Fmax 15 kN	320739
Screw size M5, Fmax 25 kN	320741
Screw size M6, Fmax 35 kN	320743
Screw size M8, Fmax 50 kN	320745
Screw size M10, Fmax 50 kN	320747

Specimen holders for button-head specimens (split)

For tests to DIN 50125, Type C: 1x required

Scope of delivery: 2 pieces (consisting of 4 parts)

Description	ArticleNumber
Specimen Ø 4 mm, Fmax 20 kN	320749
Specimen Ø 5 mm, Fmax 30 kN	320751
Specimen Ø 6 mm, Fmax 50 kN	320753
Specimen Ø 8 mm, Fmax 50 kN	320755
Specimen Ø 10 mm, Fmax 50 kN	320757

Specimen holders for button-head specimens (split)

For tests to GOST 1497 Type II: 1 x required

Scope of delivery: 2 pieces (consisting of 4 parts)

Specimen diameter d_0 [mm]	Shoulder end diameter D [mm]	Test load F_{max} [kN]	makroXtens at $L_0 = 5 \times d_0$ [mm]	makroXtens at $L_0 = 10 \times d_0$ [mm]	Item No.
4	11	20	Yes	Yes	1073960
5	12	30	Yes	Yes	3003195
6	13	50	Yes	Yes	1073961
8	16	50	Yes	Yes	1073906
10	20	50	Yes	Yes	1073907

Product Information

Specimen grips for dumbbell, threaded and threaded-end specimens Type 8496, F_{max} 50 kN

Specimen holders for button-head specimens (split)

For tests to GOST 1497 Type III: 1 x required

Scope of delivery: 2 pieces (consisting of 4 parts)

Specimen diameter d_0 [mm]	Shoulder end diameter D [mm]	Test load F_{max} [kN]	makroXtens at $L_0 = 5 \times d_0$ [mm]	makroXtens at $L_0 = 10 \times d_0$ [mm]	Item No.
3	7	15	No	Yes	021360
4		20	Yes	Yes	021778
5	11	30	Yes	Yes	021787
6	12	50	Yes	Yes	021789
8	13	50	Yes	Yes	021804
10	16	50	Yes	Yes	021812